




SCENE LIGHT INSTRUCTION

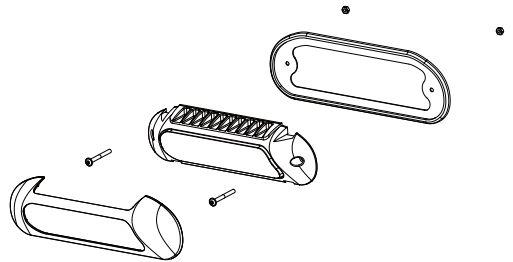
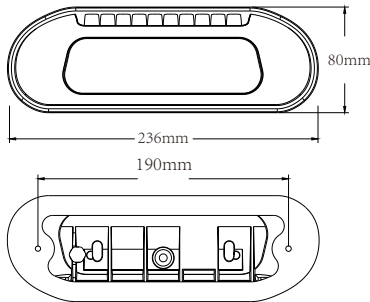
Size	: 236x80x37mm
Scene Light Power	: 48W
Raw Lumen	: 4500LM
Scene Light Angle	: Down 45°
Waterproof	: IP6K9K
Voltage	: 10-30V

ECE Approval	: ECE R10
Other Approval	: CE, UKCA, CISPR 25, SAE
Housing Material	: Aluminium Housing, PC Cover
Mounting	: Screw Mount
Cable	: 0.3M cable
Gasket	: Rubber

Wiring Instruciton

White Scene Light Positive		Red
Yellow Scene Light Positive		Yellow
Negative Ground		Black

Mounting Assembly



- Only a qualified auto-electrician should install this product. Do Not install this product if unsure.
- Failure to use specified installation parts or hardware will void the product warranty.
- For this product to operate at optimum efficiency, a good electrical connection to ground must be made.
- Do not install and/or operate this safety product unless you have read and understand the safety information contained in this manual.

IMPORTANT! THIS UNIT IS A SAFETY DEVICE, AND IT MUST BE CONNECTED TO ITS OWN SEPARATE, FUSED POWER POINT TO ASSURE ITS CONTINUED OPERATION WHEN ANY OTHER ELECTRICAL ACCESSORY FAIL.